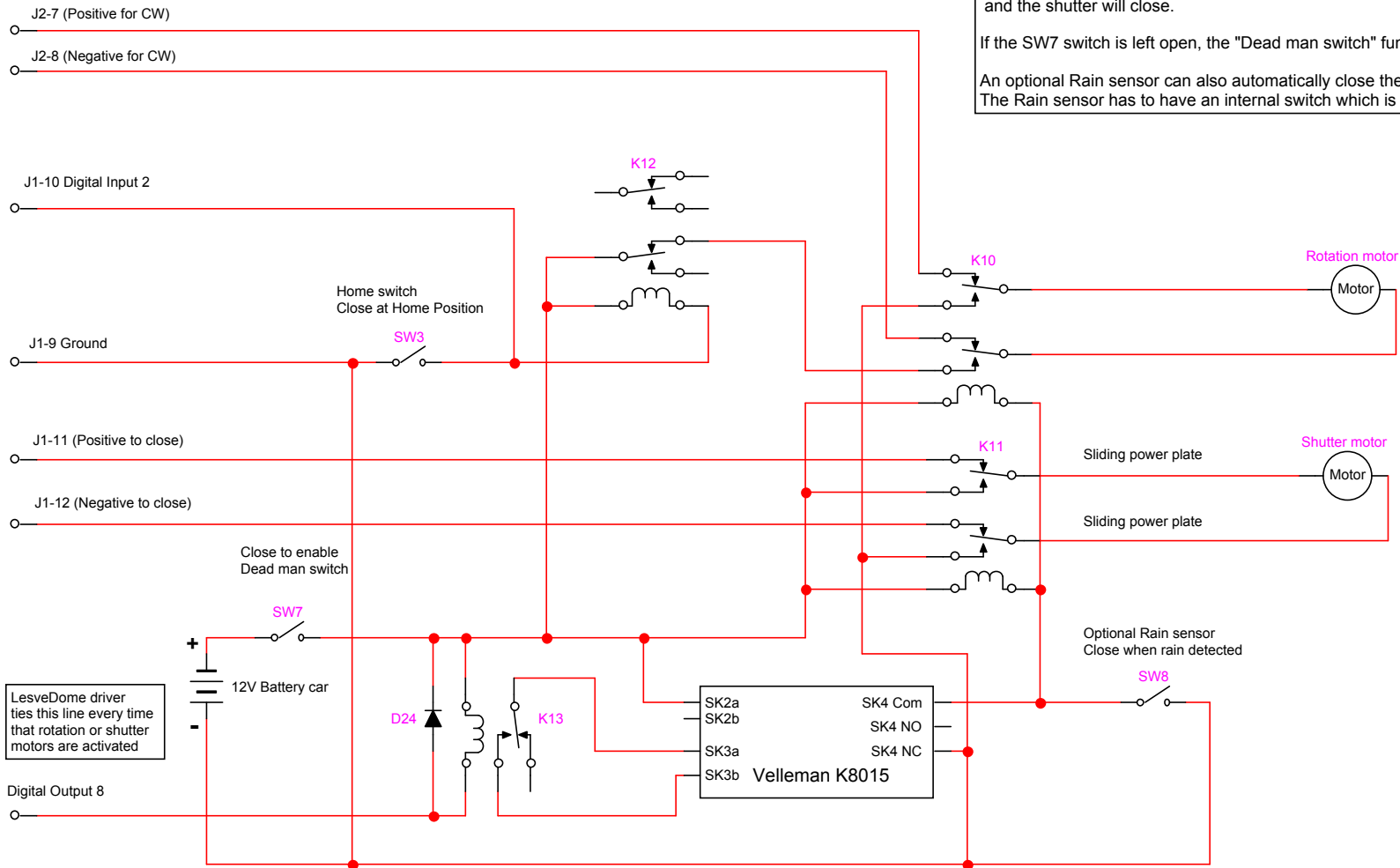


Dead man switch

Each time the Digital Output 8 is active (tied to ground), K13 relay is energized and the K8015 timer is restarted for a new period of 3 minutes. If is not the case, the timer expires and internal relay of K8015 will activate the K10 and K11 relays and dome will rotate from Car battery power until Home position is reached. At this time K12 relay will be energized and no more power will be applied to Rotation motor. Home position having been reached, Shutter power plates will be energized and the shutter will close.

If the SW7 switch is left open, the "Dead man switch" function is disabled.

An optional Rain sensor can also automatically close the shutter. The Rain sensor has to have an internal switch which is closed when rain is detected.



LesveDome driver ties this line every time that rotation or shutter motors are activated

Velleman K8015 DIP switch SW1 must set for "Staircase" mode
See Velleman documentation