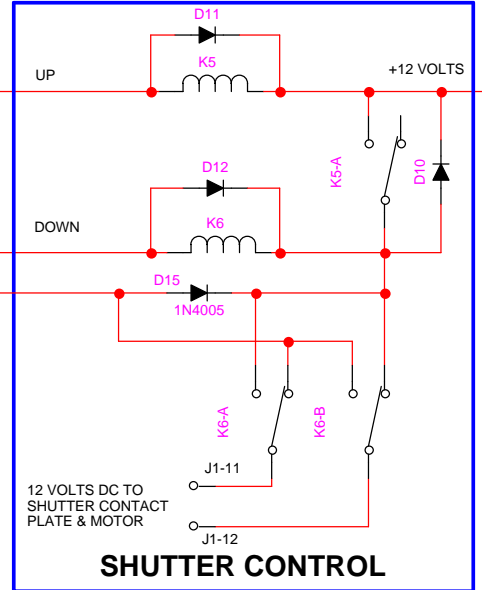
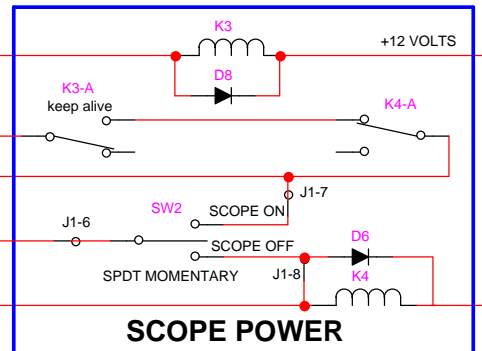
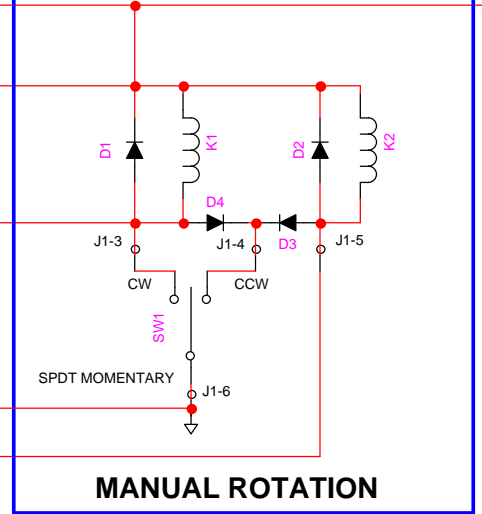
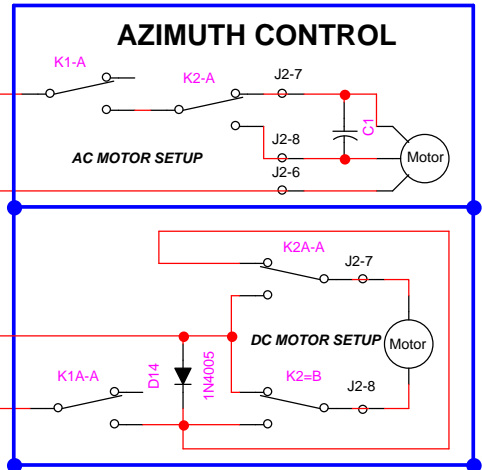
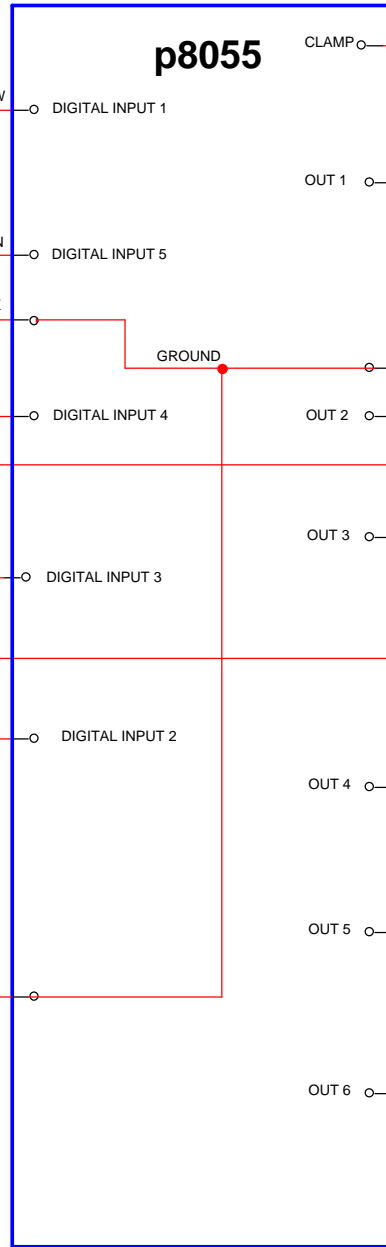
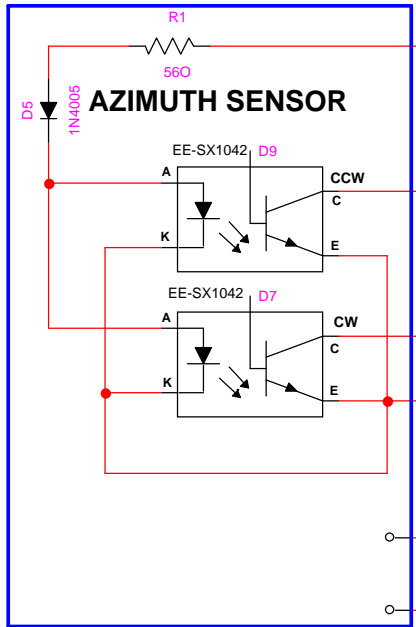
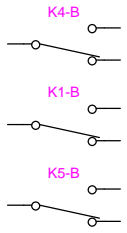


NOTE  
ALL RELAYS ARE DPDT  
TYCO OMI SH 212D,594  
UNUSED CONTACTS ARE  
AS FOLLOWS



## LESVEDOME SYSTEM SCHEMATIC

CHARLES HARROW  
 SCENIC HILL OBSERVATORY  
 MADISON NH 03849

DWG#1 SHEET 1 OF 1---- DATE: NOV. 1 2007  
 REVISED: SEPT. 24 2008