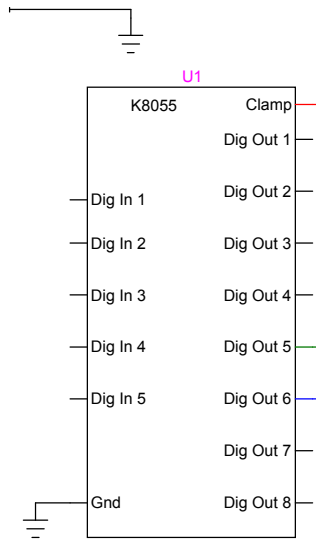
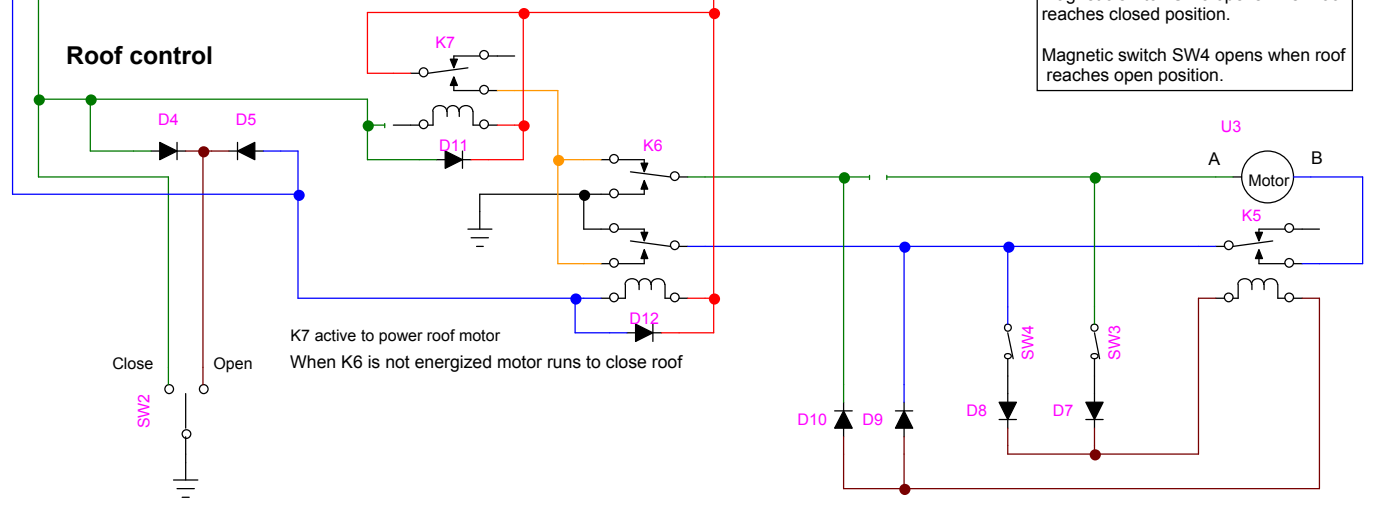


+12VDC



Roof control



K7 active to power roof motor
When K6 is not energized motor runs to close roof

K5 relay activated by magnetic limit switch, control the roof motor
Roof closes when K7 is active and K6 inactive
Roof opens when K7 and K6 are active
SW2 is a momentary double through switch for manual activation of the Roof

Magnetic switches are normally closed.
Magnetic switch SW3 opens when roof reaches closed position.
Magnetic switch SW4 opens when roof reaches open position.